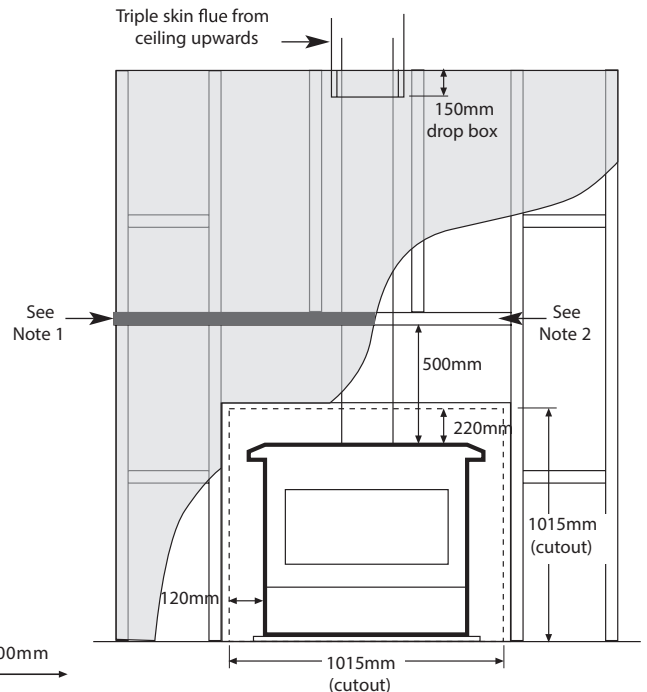
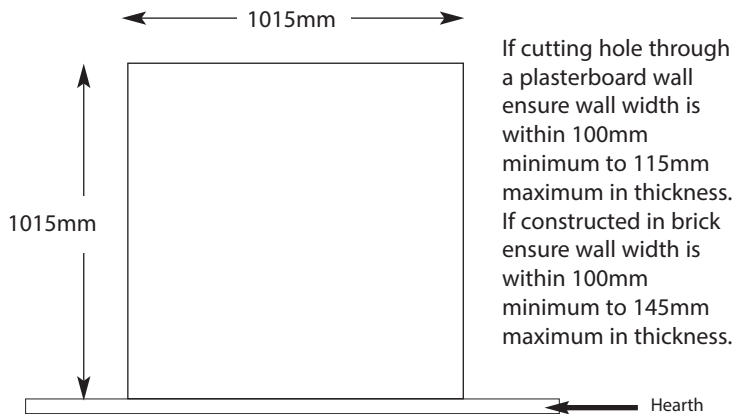


Read and follow these instructions (in conjunction with the Duet SRS2/Duplicity Freestanding manual) carefully before installing this appliance.
SAVE THESE INSTRUCTIONS

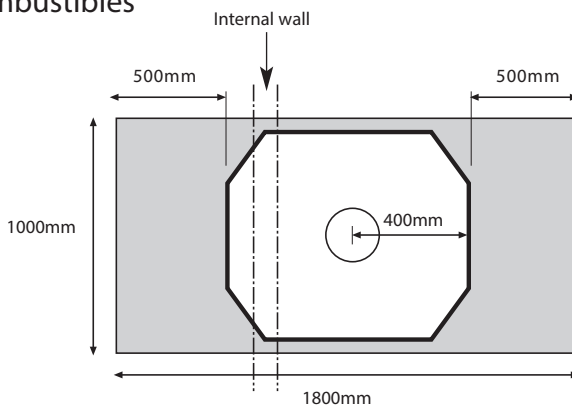
- The installation of this appliance must be carried out as per this manual and the flue manufacturer's specifications. We recommend that you use a qualified installer to carry out the installation.
- If in doubt do not hesitate to contact your local Jindara or Eureka dealer.
- This appliance weighs in excess of 230 kilograms. Extreme care should be taken when handling the appliance.

Hole cutting dimensions



Clearances to combustibles

A minimum 1000mm wide x 1800mm deep x 12mm thick floor protector should be used under and in front of the appliance when installing. The floor protector should extend 500mm in front of the appliance base on both doors.



Note 1: A combustible mantle must be no lower than 500mm from top plate of heater.

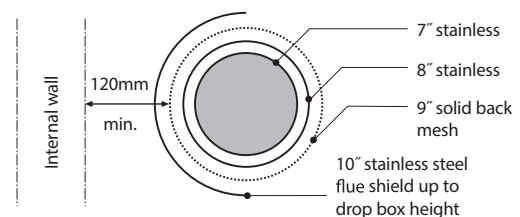
Note 2: Internal wall noggin must not be lower than 500mm above top plate of heater (a steel noggin is permitted lower than 500mm).



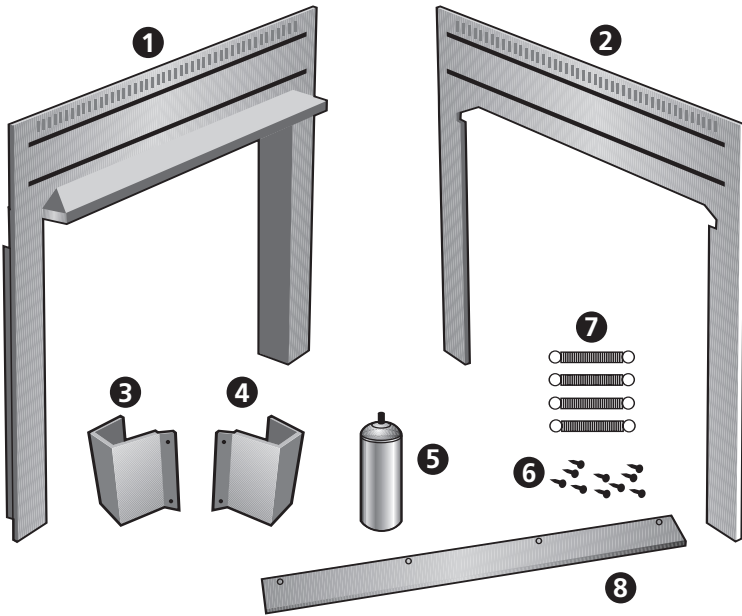
Minimum flue requirements

This Heater has been tested to AS2918:2001 Appendix B. Test Report No. HCMG/14/069A using an Australian Standard flue kit. For the through wall installation additional 8" stainless is to be fitted over the 7" stainless active flue, then a 9" mesh flue shield and a 10" stainless steel flue shield are to be installed, both to ceiling height. (See diagram opposite)

These must be used to make the installation conform.



NB: First flue height 4600 mm (+/- 300mm) from floor protector

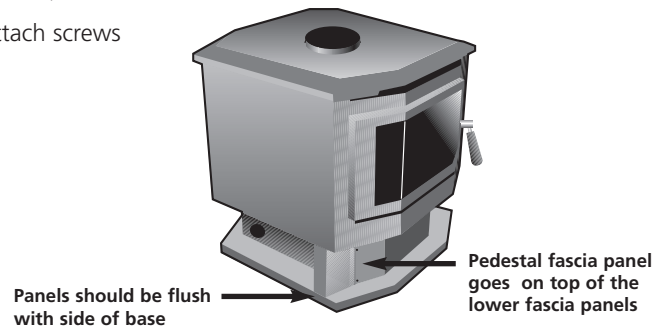
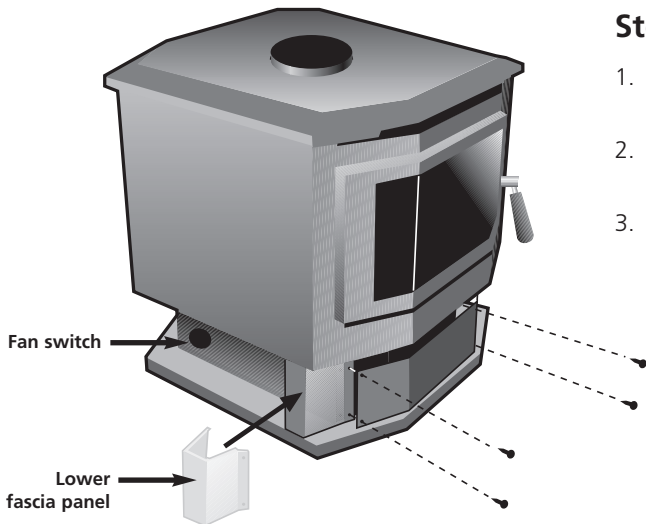


Parts

1. Fascia Assembly - Inbuilt side
2. Fascia Assembly - Freestanding side
3. Panel fascia - lower left hand
4. Panel fascia - lower right hand
5. Spray can
6. 10 off 1/2" x 8G self tapping screws
7. 4 springs
8. Panel heat deflector

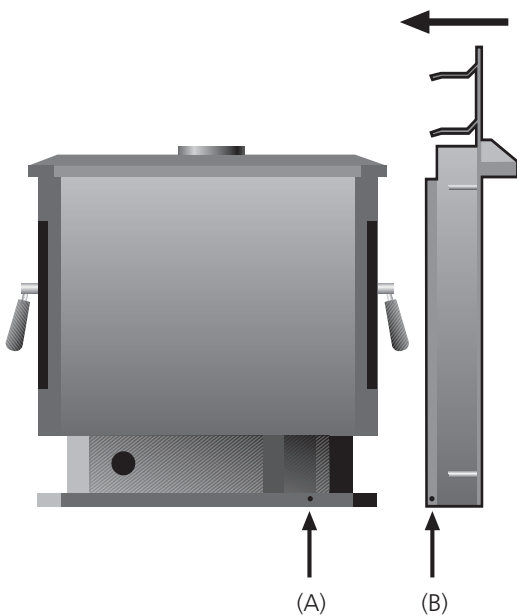
Step 1

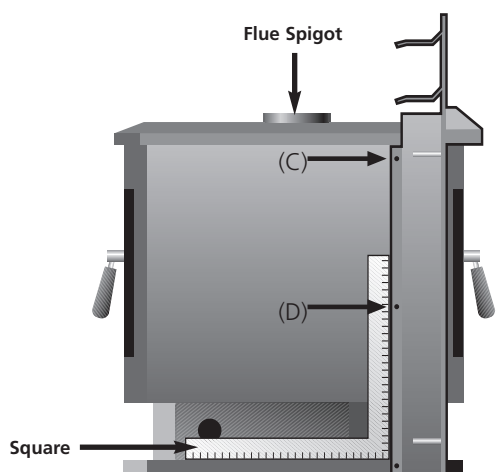
1. Remove screws from the heater pedestal fascia panel (opposite fan switch end)
2. Position lower fascia panels (Parts 3 & 4) as shown (one on each side of heater)
3. Reattach screws



Step 2

1. Slide the Inbuilt Fascia Assembly (Part 1) over the front of the heater, so that pre-drilled screw holes (A) and (B) are aligned.
2. Insert screw (supplied) and tighten.
3. Do this on each side of the heater.



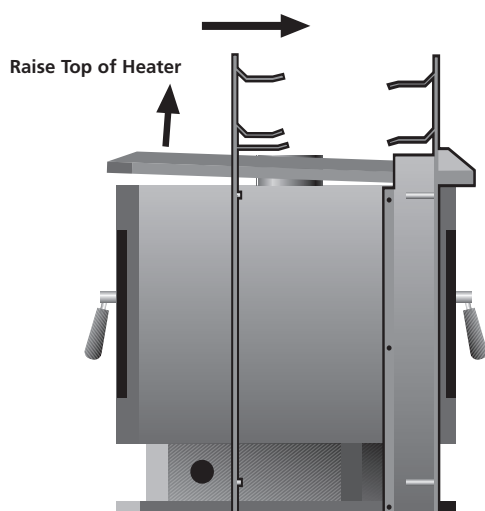


Step 3

1. Use a square to ensure the Inbuilt Fascia Assembly is perfectly vertical.
2. Using a 3mm dia drill bit, drill holes (C) and (D) through the Inbuilt Fascia Assembly and into the side of the heater. Insert screws (Part 7) and tighten. Do this on the other side of the heater as well.

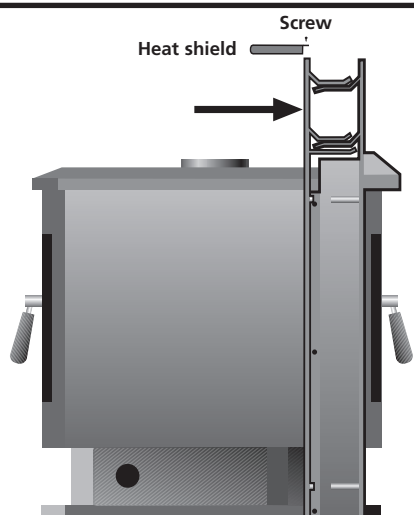
Step 4

Position heater into wall opening. Ensure it is centrally located and Inbuilt Fascia Assembly is hard up against wall.



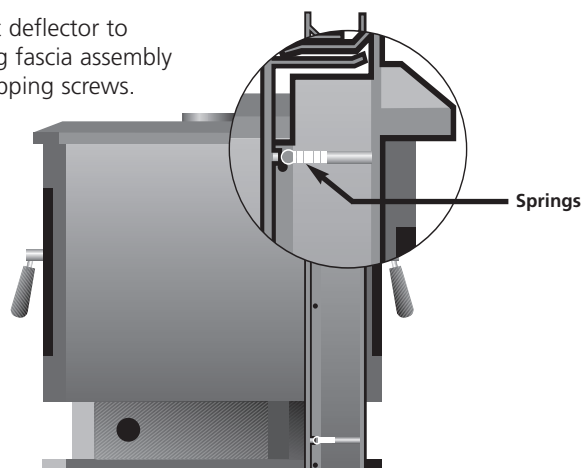
Step 5

1. Slide the Freestanding Fascia Assembly (Part 2) over the freestanding side of the heater. To allow the assembly to easily pass over the flue spigot, raise the top of the heater until it is flush with the top edge of the flue spigot.
2. When the Freestanding Fascia Assembly has crossed the flue spigot, lower the top of the heater and continue to slide the Freestanding Fascia Assembly until it meets the Inbuilt Fascia Assembly.



Step 6

1. Overlap the flanges as shown
2. Attach the springs between Inbuilt Fascia Assembly and Freestanding Fascia Assembly on both sides of the heater.
3. Attach heat deflector to freestanding fascia assembly with self tapping screws.



Step 7

1. If required use spray can (Part 5) to touch up if required. Follow directions on spray can.

Any enquiries contact the dealer from whom you purchased your heater.

PLEASE COMPLETE:

Dealer name: _____

Dealer Address: _____

Phone Number: _____

Please attach your original purchase docket to this instruction book for future reference.



Phone (03) 9729 1422

Fax (03) 9729 1455

Gason Heating reserves the right to modify or alter specifications, materials, etc in the interests of product improvement.