

Read and follow these instructions (in conjunction with the Jewel / Spectre Freestanding manual) carefully before installing this appliance.
SAVE THESE INSTRUCTIONS

- The installation of this appliance must be carried out as per the manual and the flue manufacturer's specifications. We recommend that you use a qualified installer to carry out the installation.
- Default clearance values and flue requirements specified in AS/NZS 2918-2001 must be used for any clearance values not given in these instructions.
- If in doubt, do not hesitate to contact your local Jindara or Eureka dealer.
- This appliance weighs in excess of 230 kilograms. Extreme care should be taken when handling the appliance.

Hole cutting dimensions & clearances to combustibles

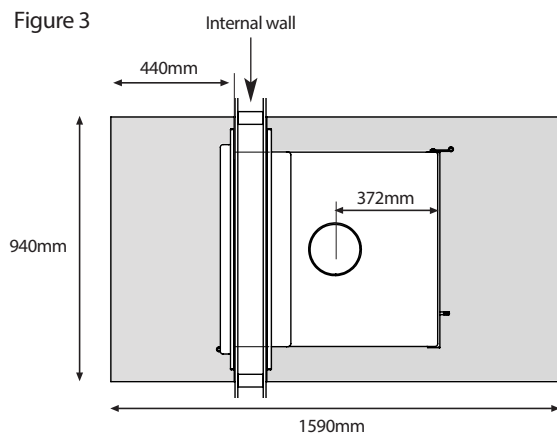
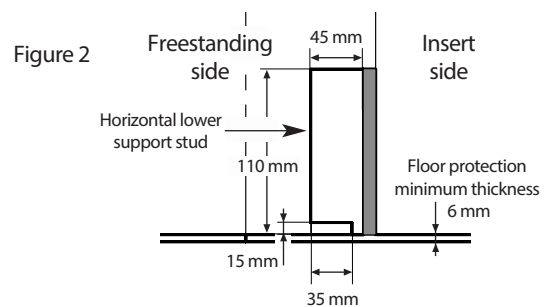
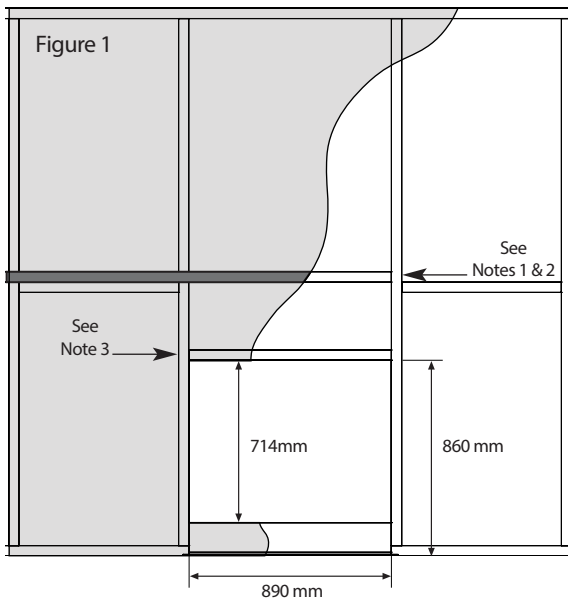
- This thru-wall kit is designed for use with plasterboard stud walls, with a total thickness ranging between 90mm and 110mm.
- Note that the wall section below the appliance fascia on the insert side is filled, as per figure 1. It should be supported by a stud with a 10mm x 35mm horizontal cut-out, as per figure 2. This is to allow the base of the freestanding unit to protrude far enough through the wall.

Note 1: If present, a combustible mantle shelf must be positioned a minimum of 500mm above the appliance hot air outlet.

Note 2: Combustible internal wall framing must not be installed less than 475mm above the appliance top plate.

Note 3: Non-combustible internal wall framing must be used if installed directly above the appliance, less than 475mm from the top plate.

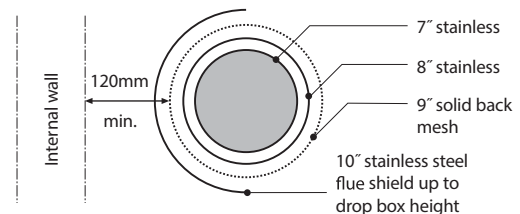
- A minimum 1590mm x 940mm floor protector with a minimum thickness of 6mm must be installed under the appliance, as per figure 3.
- The floor protector must extend a minimum of 420mm from each appliance door and 155mm from the pedestal base on either side of the appliance. (Note: sheeting or skirting boards etc. between the thru-wall kit and floor protector must be non-combustible.)



Minimum flue requirements

This Heater has been tested to AS2918:2001 Appendix B. Test Report No. ASFT18004 - 1 using an Australian Standard flue kit. For the through wall installation additional 8" stainless is to be fitted over the 7" stainless active flue, then a 9" mesh flue shield and a 10" stainless steel flue shield are to be installed, both to ceiling height. (See diagram opposite)

These must be used to make the installation conform.



NB: First flue height 4600 mm (+/- 300mm) from floor protector

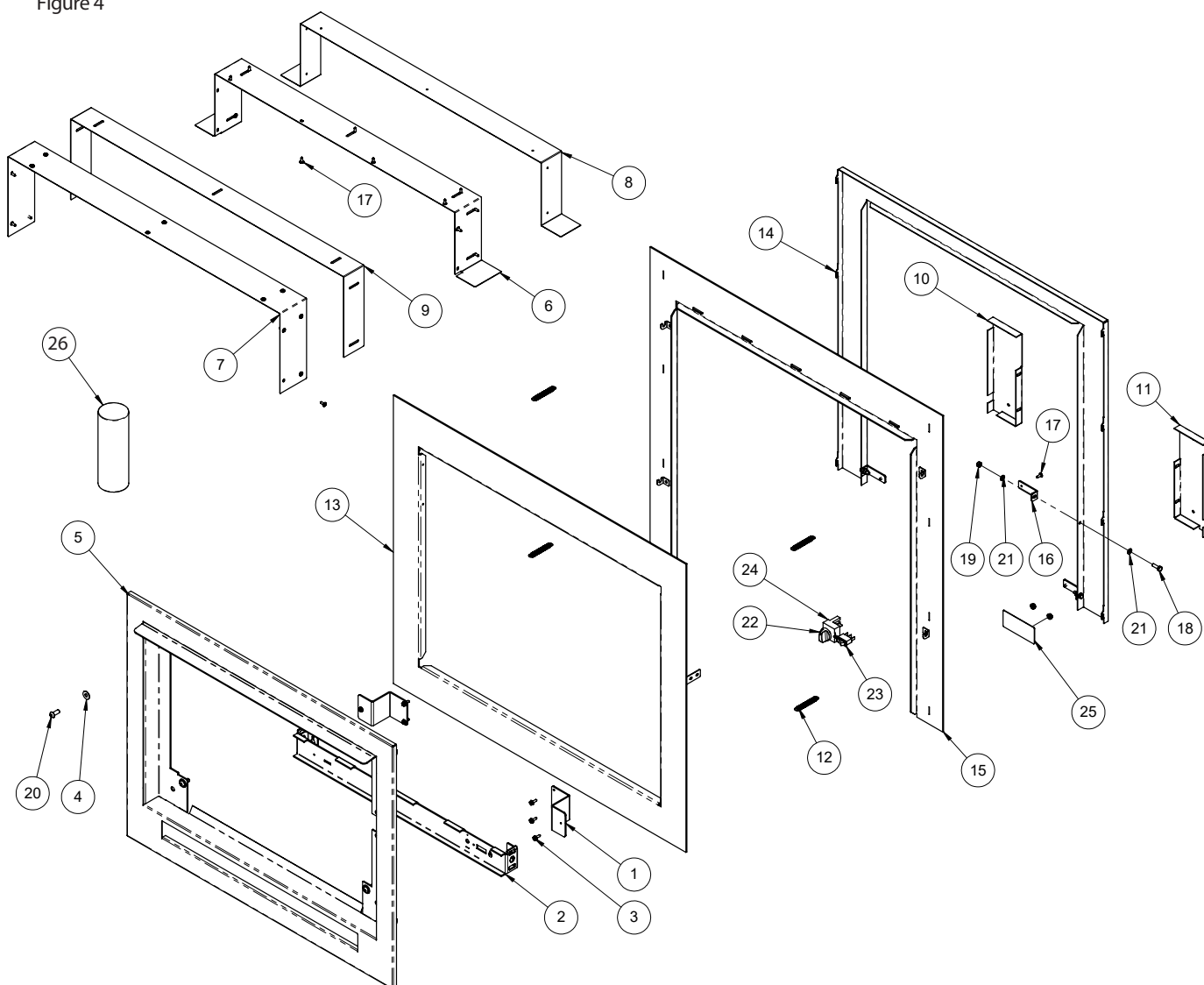
Parts

Ref.	Description	Qty.
1	Fill Panel Mount	2
2	Fill Panel	1
3	Tek Screw 10-16 x 16mm	6
4	Washer Flat 8 x 20	4
5	Insert Fascia Panel	1
6	Inner Heat Shield A	1
7	Outer Heat Shield A	1
8	Inner Heat Shield B	1
9	Outer Heat Shield B	1

Ref.	Description	Qty.
10	Side Fill Panel R/H	1
11	Side Fill Panel L/H	1
12	Retaining Spring	4
13	Front Heat Shield Panel	1
14	F/S Fascia Panel	1
15	Rear Heat Shield Panel	1
16	Side Fill Mount Bracket	4
17	S/Tap Screw 1/2" x 10	32
18	Set Screw M6 x 20	4

Ref.	Description	Qty.
19	Nut Nyloc M6	8
20	Cap Screw M8 x 20	4
21	Washer Flat M6	12
22	Switch Knob	1
23	Switch - 2 Position	1
24	Switch - 3 Position	1
25	Blanking Panel	1
26	Paint - Metallic Black	1

Figure 4

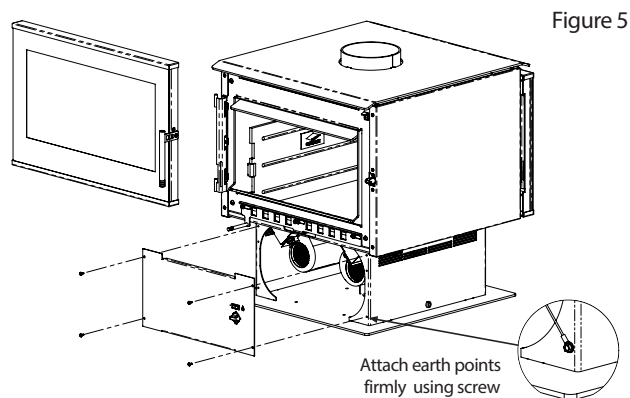


Step 1

- Ensure that the power lead of the appliance is disconnected.
- Remove the door from the appliance, at the end being installed through the wall.
- Note that if fan controls are intended to be installed on the thru-wall face if the installation, the door at the end of the appliance with fan controls in the pedestal base should be selected for this step. Refer to figure 5.

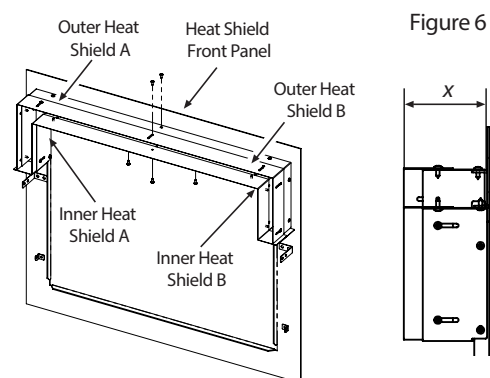
Step 2

- Remove the pedestal fill panel from the base of the appliance, at the end being installed through the wall.
- Disconnect fan harness connectors from the switches housed in the fill panel and secure the earth wire eyelets to the pedestal base, at the point shown in figure 5.



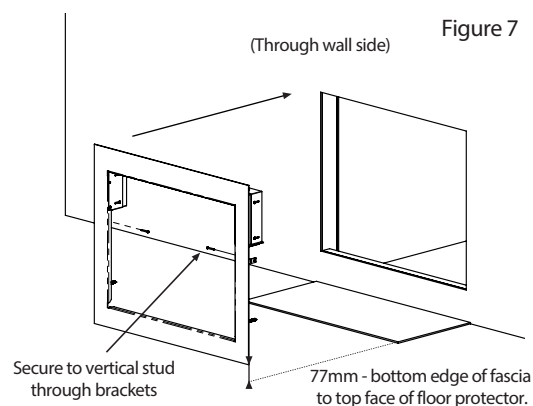
Step 3

- Assemble the heatshield components as shown in figure 6, ensuring all plastic wrapping is removed from the stainless steel before assembly. Note that inner and outer heat shield A components attach to heat shield front panel, inner and outer heat shield B components are attached to A components using screws, with slots used for adjustment of overall depth.
- Ensure all retaining screws are securely fastened and that the depth of the heat shields is uniformly adjusted.
- Depth of the heat shields (x) is determined using the following calculation:
 $x = \text{wall thickness} - 5\text{mm}$



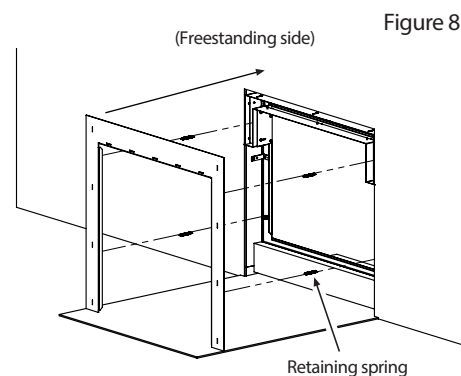
Step 4

- Install the front heatshield assembly to the far side of the installation, as shown in figure 7.
- Measuring vertically from the surface that the heater is sitting on, the bottom edge of the heatshield assembly should be raised by 77mm.
- Secure mounting brackets in place using wood screws, attaching to the vertical stud on both sides of the cut-out.



Step 5

- Install the rear heatshield panel, securing in place with 4x retaining springs, as shown in figure 8.



Step 6

- Using the wall thickness measurement, determine value (y) using the following equation:

$$y = \text{wall thickness} - 88\text{mm}, (\pm 2\text{mm})$$
- Referring to figure 9, measure distance y from the front of the pedestal base at the side pointed towards the wall. Mark and drill a 6.5mm hole at this point, 43mm above the pedestal base on both sides of the appliance.

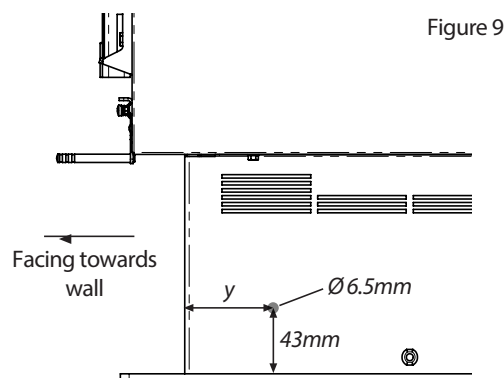


Figure 9

Step 7

- Move heater into position, central to the wall cut-out and heat shield assembly, as per figure 10.
- Position the appliance so that the lower ash lip is almost flush with the front face of the heat shield panel, but is not quite protruding through. Measured distance from the heat shield panel to the pedestal front face should be 96mm.

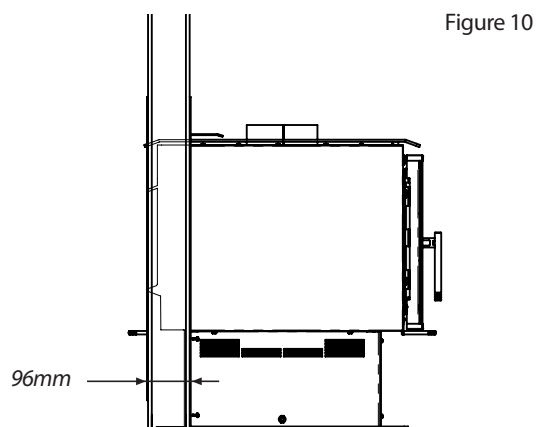


Figure 10

Step 8

- Install the rear fascia panel as shown in figure 11. Press the locating tabs of the panel through the cut-out sections in the heat shield panel, then secure by pushing the fascia down until it is seated in position.

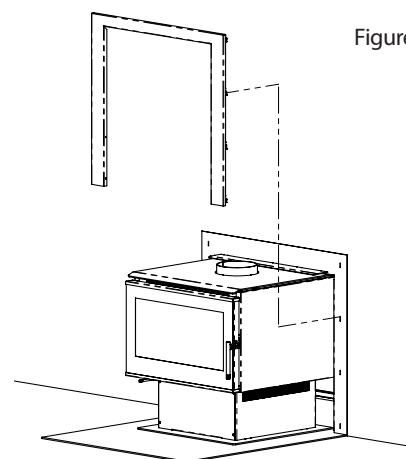


Figure 11

Step 9

- Using the supplied M6 fasteners, secure the rear fascia fill panels and mount brackets in position, as per figures 12 & 13.
- This is best carried out by first installing the brackets, then securing the fill panels in place.

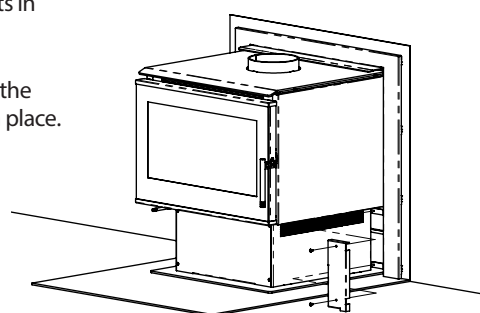


Figure 12

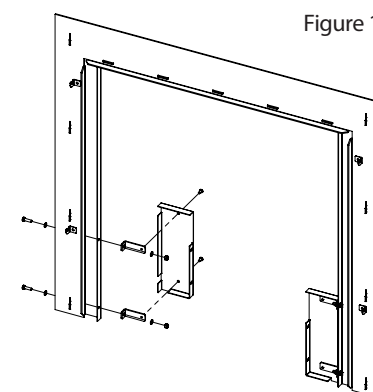


Figure 13

Component assembly.
Refer to page 2 for component identification.

Step 10

- Fit the fill panel mounts using tek-screws supplied, as per figure 14.

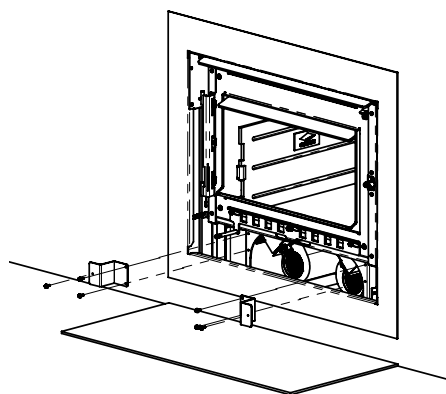


Figure 14

Step 11

- Connect the fan control switches (already fitted to the fill panel), ensuring connections are made as per the diagram in appendix A. Ensure that all wiring is secured and unable to be caught in fans or be crushed/rubbed through on heater panels.

- **Note:** If the fan controls have been left in the pedestal base on the freestanding side of the installation, remove the switches fitted to the fill panel and fit the blanking panel as per figure 14.

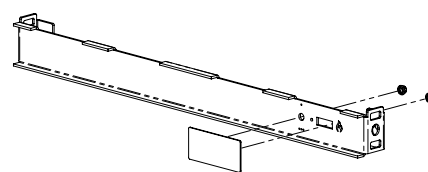
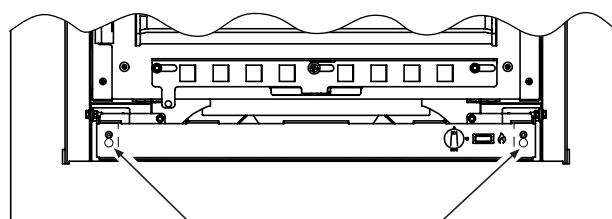


Figure 15

Step 12

- Secure the fill panel to the panel mount brackets.
- The easiest way to do this is to drive the tek-screws into the panel mount brackets until they are around 4mm from fully seated. Press the fill panel over the heads of the screws and push down, locating the screws in the cut-out slots. Tighten the tek-screws the rest of the way using a spanner. Refer to figure 16.



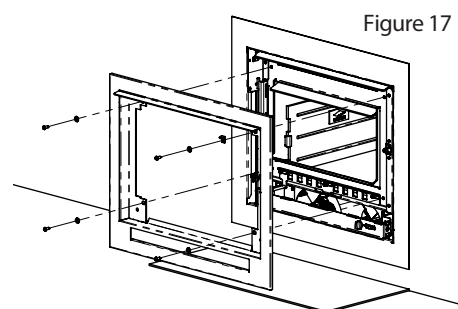
Locate fill panel at these points
then tighten retaining screws

Figure 16

Step 13

- Fit the front fascia using 4x M8 button head bolts and washers, re-fitting the door rider plate over the fascia at the top right corner, as per figure 17. Ensure that the fascia sits squarely and centrally on the appliance.

- **Note:** If the front fascia is protruding excessively from the wall, the heater should be shifted backwards to take up this gap. Do not attempt to adjust the fascia position by bending or shimming the fascia panel at its mounting points - This will likely interfere with door operation. The fascia on the freestanding side should be checked to ensure it is still sitting correctly after any adjustments are made.



Component assembly.
Refer to page 2 for component identification.

Figure 17

Step 14

- Re-fit the door to the appliance, ensuring that it opens and closes correctly. If the door does not latch correctly, refer to the user manual supplied with the appliance for door adjustment procedures. If required, use the spray can supplied to touch up the paint on the thru-wall kit and the appliance, following the directions on the spray can.

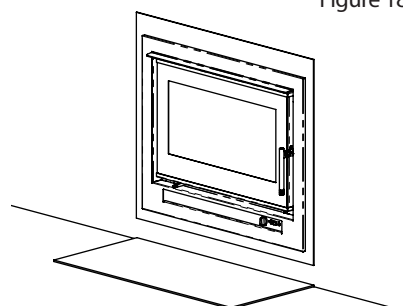


Figure 18

Any enquiries contact the dealer from whom you purchased your heater.

PLEASE COMPLETE:

Dealer name:

Dealer Address:

Phone Number:

Please attach your original purchase dockets to this instruction book for future reference.



Phone (03) 9729 1422

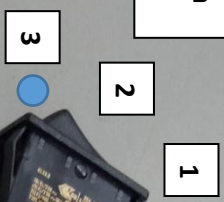
Fax (03) 9729 1455

Gason Heating reserves the right to modify or alter specifications, materials, etc in the interests of product improvement.

APPENDIX A - JEWEL/SPECTRE WIRING HARNESS & LEAD

Rotating Switch Connections:
Pin 1 – Brown (2 wire)
Pin 2 – Black
Pin 3 – Brown
Pin 4 – Blank
Pin 5 – White

Rocker switch terminals



Flame to terminal 1

Thermostat 214289

Thermostat loom 231646

Brown LIVE from power cord to terminal 2 of rocker switch

Harness joiner ensure connector is fully covered by sheath

Twin Fan loom 214428

FAN 2 CONNECTOR

FAN 1 CONNECTOR

EARTH

Power Cord WS10078

